

Supporting Pub/Sub over NDN Sync

Varun Patil, Philipp Moll, Lixia Zhang
UCLA

ACM ICN 2021

Need for a high level API

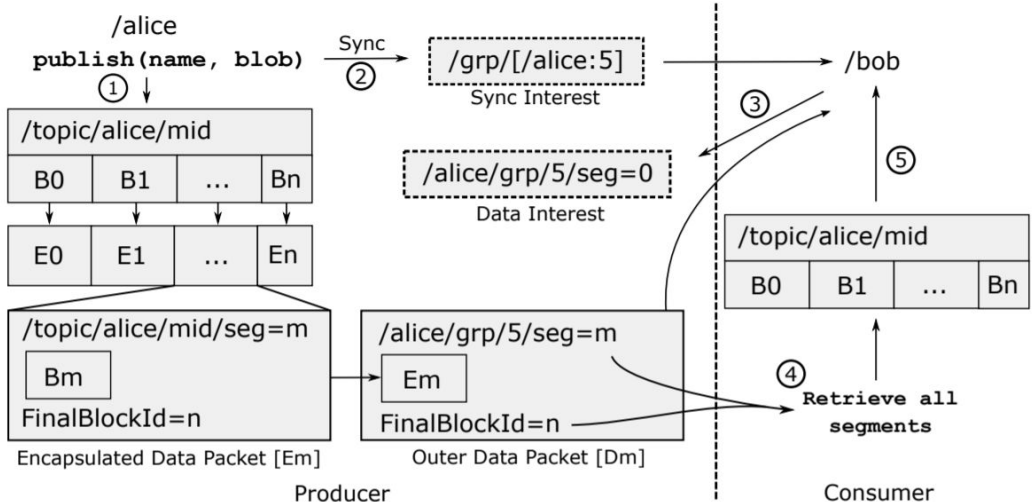
- Sync is the transport service of NDN
 - Provides namespace synchronization
- Sync needs sequence numbers for naming data
 - Resilient transport identifiers
 - State Vector Sync
- Pub/Sub is a familiar communication pattern

Have: `/alice/group/5`

Need: `/alice/app/message`

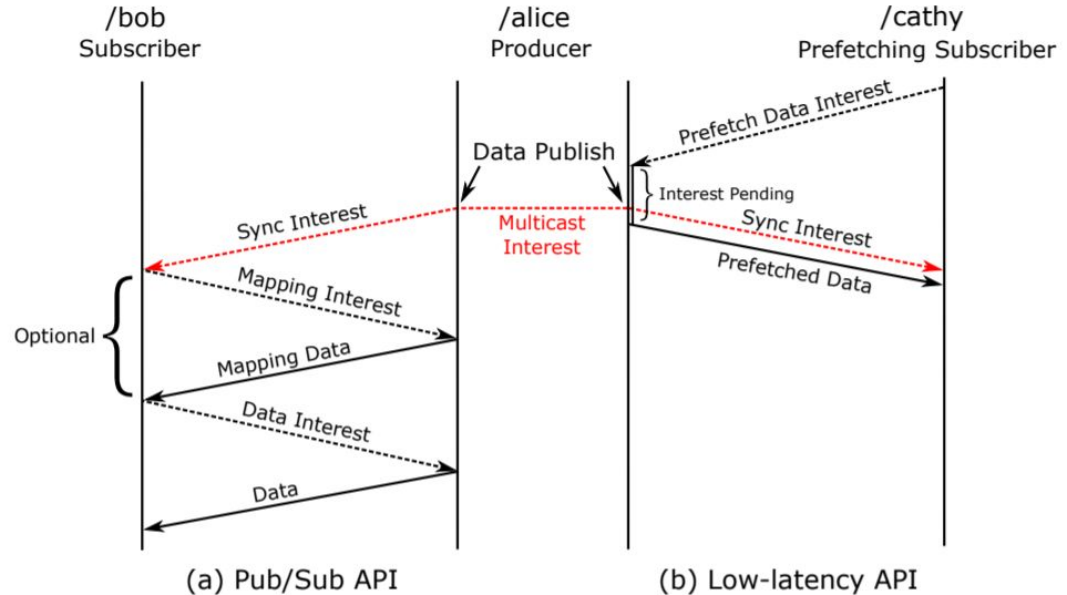
Data distribution over SVS

- Encapsulation - fetch using sequence numbers
- Segment large objects semantically
- Sign and enable enforcing trust policies



Pub/Sub API

- Query name of encapsulated packets after learning about production
- Optimize
- Reduce Latency



Thank You!